

SINCE 1908
wessels
 company

SUBMITTAL

FXA-SERIES

HYDRO-PNEUMATIC TANK

Models: FXA-700

Submittal Sheet No. C-1005B

Date: 6/13

Job Name _____	Submitted By _____	Date _____
Location _____	Approved By _____	Date _____
_____	Order No. _____	Date _____
Engineer _____	Notes _____	
Contractor _____	_____	
Sales Rep. _____	_____	

Description

Wessels type FXA-700 tank is an ASME replaceable bladder type pre-charged hydro-pneumatic tank for commercial and industrial well and water systems, booster systems, or other potable water applications. This is designed to deliver water under pressure between pump cycles to provide sufficient flow to meet demands. The water is contained in a butyl bladder. All FXA hydro-pneumatic tanks can be installed vertically or horizontally.

Construction

Shell: Carbon Steel
 Bladder: Heavy Duty Butyl (FDA Approved)
 System Connection: Epoxy Lined

Performance Limitations

Maximum Design Temperature: 240°F
 Maximum Design Pressure: 200 PSIG*

* 250 PSIG available



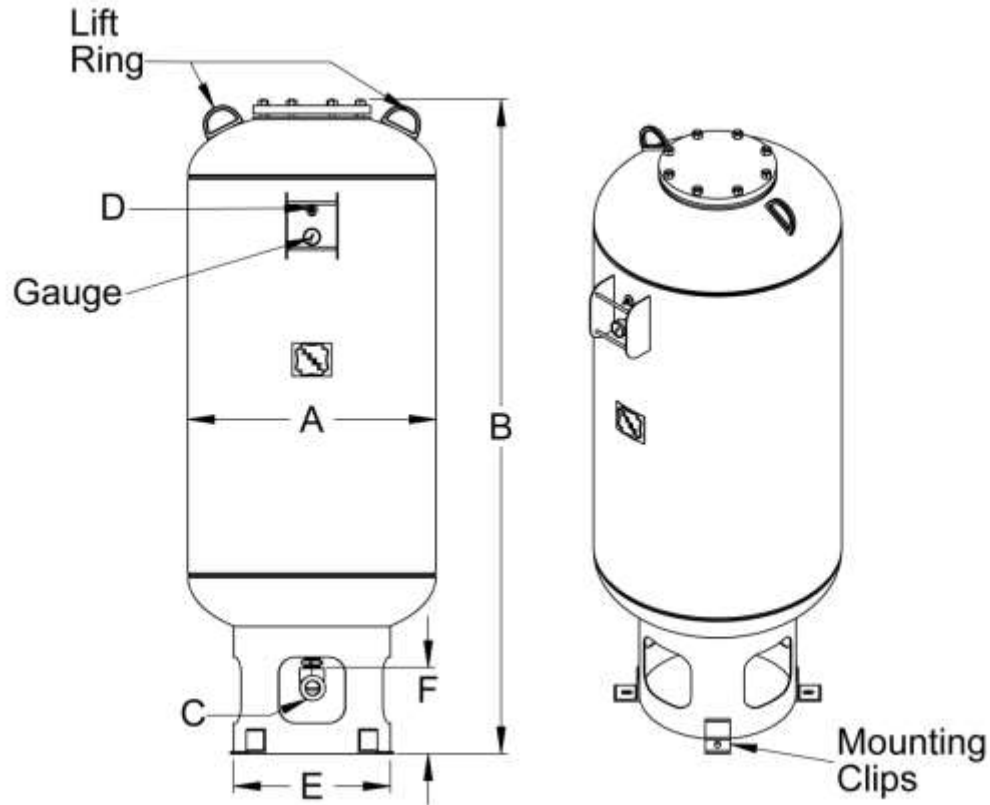
Listed
Materials

Model Number	Part Number	Tank Volume (Gallons)	Tagging Information	Quantity
FXA 700	21040715	185		

Typical Specification

Furnish and install, as shown on plans, a _____ gallon _____" diameter X _____" (high) pre-charged steel hydro-pneumatic tank with heavy-duty butyl bladder. The tank shall have bottom NPT system connections and a 0.302"-32 charging valve connection (standard tire valve) to facilitate the on-site charging of the tank to meet system requirements. The tank shall have a 1/4" NPT connection for relief valve and air pressure gauge. The tank will have a lifting ring and a floor mounting skirt for vertical installation. The tank must be constructed in accordance with most recent addendum of Section VIII Division 1 of the ASME Boiler and Pressure Vessel Code.

The tank shall be Wessels model number FXA-700 or approved equal.



FXA-700

Dimensions & Weights

Model Number	Dimensions in Inches						Pressure Gauge	Approx. Ship Wt. (lbs)
	A	B	System Connection	Charging Valve	E	F		
			C	D				
FXA 700	30	80	1 1/2	0.302-32 NC	19	13	1/4	600

Notes

- Tanks are factory pre-charged at 30 psi and field adjustable.